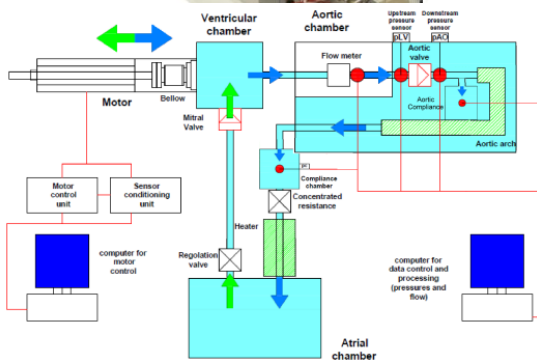
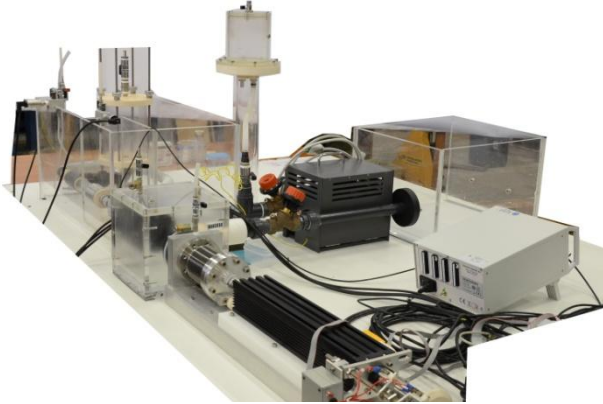
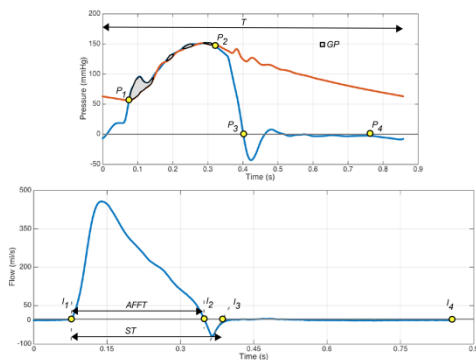


Experimental Workbench



Flow and pressure upstream and downstream of the Aortic Valve



ICEA

Luigi Di Micco

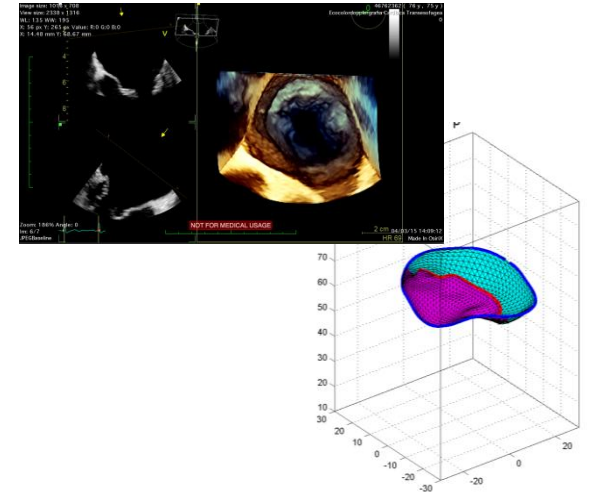
He.R. Lab.

Cardiovascular fluid dynamics laboratory

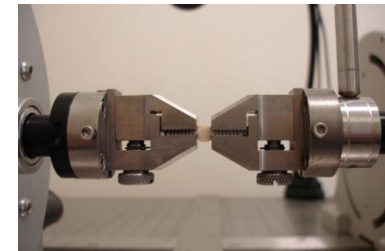
Testing of mechanical and biological Aortic Valves



Analysis of the Mitral Valve



Material testing



3D model of the Aortic Arch

